



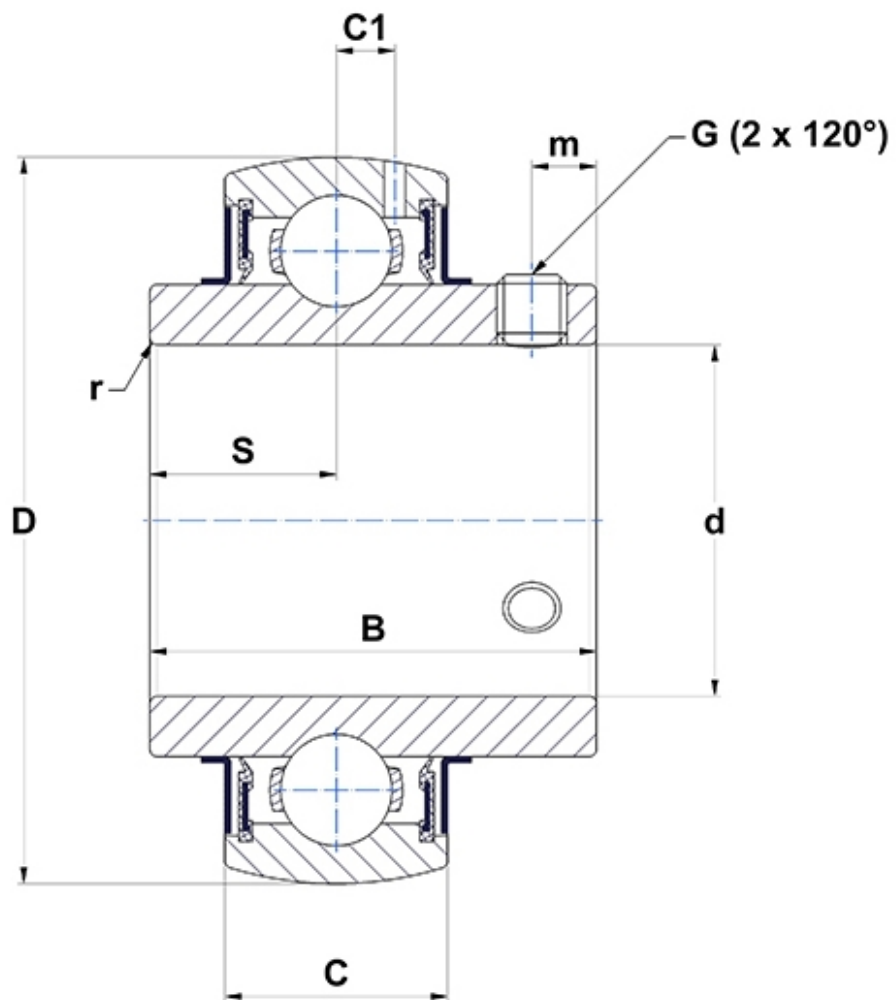
Technical data

UC.309.G2

Insert bearings

spherical outer diameter, fixing by socket set screw, seal with slinger

Visual(s)



Product definition

| | |
|-----------|----------|
| B | 57 mm |
| C | 30 mm |
| C1 | 9 mm |
| d | 45 mm |
| D | 100 mm |
| G | M10x1,25 |
| m | 10 mm |
| r | 2 |
| S | 22 mm |
| SW | 5 mm |

Product performance

| | |
|---------------|---------|
| C | 53 kN |
| C0 | 31.8 kN |
| T min. | -20 °C |
| T max. | 100 °C |

Other features

| | |
|--|---------|
| Weight | 1.28 kg |
| Recommended tightening torque for set screw | 22 Nm |